

INO3618



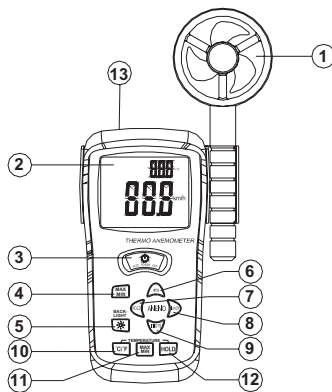
DIGITAL ANEMOMETER



Perfection in air measurements

- Sensitive and Accurate (ultra low friction jewel bearing)
- Ergonomic and easy-to-use design
- Read while measuring (detached vane)
- Large digits LCD (Liquid Crystal Display)
- 2 meters coiled cable and mounting nut for long extension
- Low power consumption
- Data/Max/Min hold function
- Building-in low battery indicator

- 1.Vane
- 2.LCD display
- 3.ON/OFF button
- 4.Max/min hold button
- 5.Backlight button
- 6.m/s button
- 7.Data hold button
- 8.km/h button
- 9.knots button
- 10.°C/°F button
- 11.max/min hold button (Temp.)
- 12.Data hold button (Temp.)
- K-type temp. probe socket



Specifications are subject to change without notice

Specifications

Measurements	Range	Resolution	Accuracy
m/s (meters per second)	0.0 ~ 45.0	0.1	± 3% ± 0.1
knots (nautical miles per hour)	0.0 ~ 88.0	0.1	± 3% ± 0.1
Km/hr (kilometers per hour)	0.0 ~ 140.0	0.1	± 3% ± 0.1
Range of temperature	-20 ~ -1	0.1	± 5.0
	0 ~ 60	0.1	± 0.8

Bearing:	Sapphire jewel bearing
Temperature sensor	K-type thermocouple
Operating Humidity	Less than 80% RH
Operating Pressure	500mB ~ 2 Bar
Battery type	9V
Battery life	50 hours (for 300mA-hrs battery)

Ordering Information

INSTRU 03618
Includes a 9V battery, manual, and a carrying case

Models	Image	Max (°C)	Type	Ø (mm)
01011		200	Air	3.5
01013		500		
01021		200	Immercion Penetration	3.5
01023		500		
01015		200	Immercion Penetration	1.5
01031		200	Surface	5
01033		500		
01043		400	Flexible	1.5

Rev 0206



Locally distributed by:

AM AUTOMAT MEDICION
Vendemos soluciones.

AUTOMAT MEDICION SRL.
Dr R. Bielsa 175 (ex Morlote)
C1427AZA Buenos Aires, Argentina.
Tel.: (54-11) 4555-0055 Fax: (54-11)4555-0444
e-mail:automat@automat.com.ar-www.automat.com.ar